



City of Lemon Grove Engineering Department
3232 Main Street
Lemon Grove, CA 91945
619-825-3811
www.lemongrove.ca.gov

Light Standards

POLE: Ameron 2B226

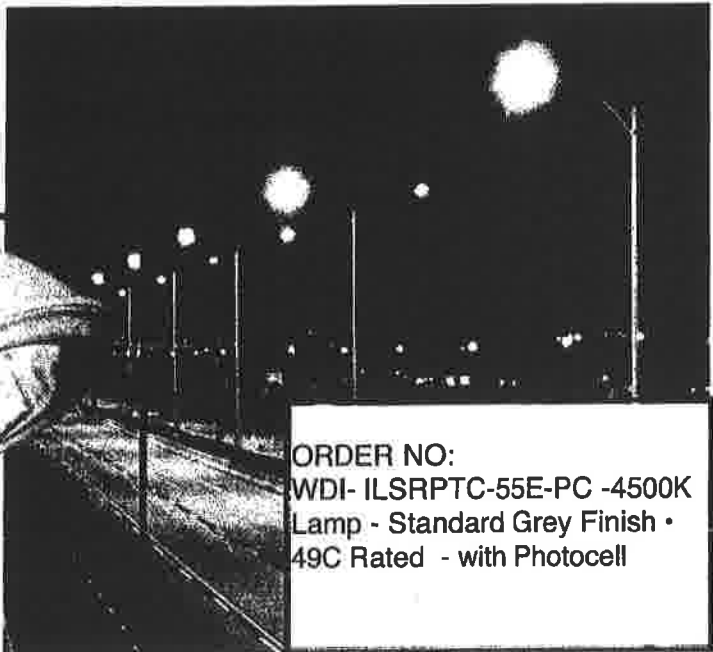
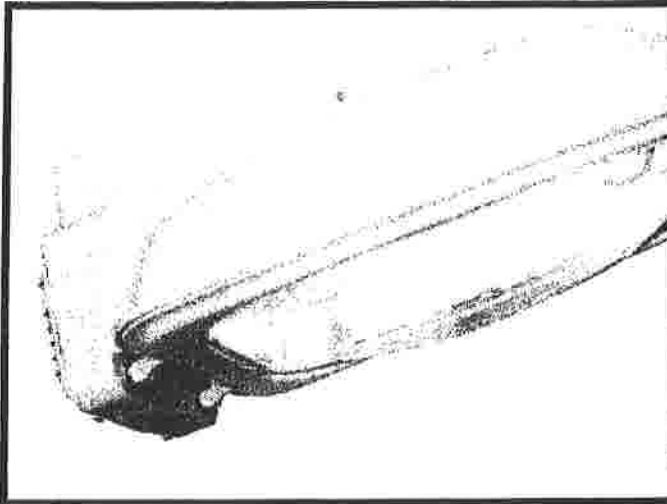
Arm: 6 Ft

Light Fixture: 55W - WDI-ILSRPTC-55E-PC – 4500K (See Attached Specs)

150W - MHTGRW-150E (See Attached Specs)

55 W

wdi WORLDWIDE DISTRIBUTION
ILSRPTC



ORDER NO:
WDI- ILSRPTC-55E-PC -4500K
Lamp - Standard Grey Finish •
49C Rated - with Photocell

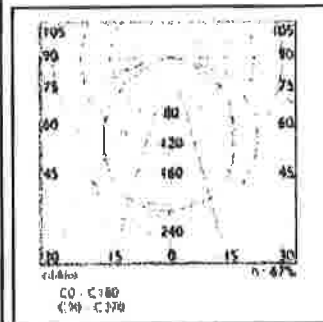
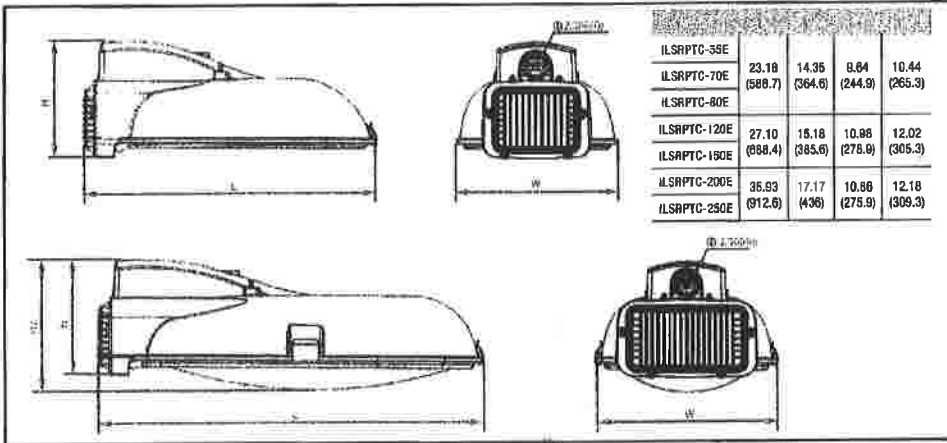
Lighting Environments: Freeway, Highway, Parking Lots, Public Entrances, Off-Street Areas

FIXTURE FEATURES:

- Compact structure, good heat dissipation, long lifetime and easy maintenance
- Newest type with die cast aluminum and adjustable height of lamp pole for streamline contour and low wind resistance
- Die cast aluminum allow housing with powder coated finish for corrosion resistance & durable use
- High purity stretched aluminum reflector with vacuum coating for even light distribution, soft light and good light utilization
- Reflector fixed in the enclosure for good sealing and reasonable construction
- Special construction: Separation of Electrical Components and Ballast
- Lens are optional with tempered glass or temperature resistant polycarbonate, good light diffusing
- High temperature resisting silicone rubber bushing to achieve high IP rating
- Optional photo control of energy saving

INDUCTION LAMP AND ELECTRONIC BALLAST:

- Ultra-High Life 100,000 Hours Lamp Technology
- High Energy Savings >50% Reduction Compared to Magnetic HID
- Low Lamp Lumen Maintenance >70% At 60,000 Hours
- High CRI >80
- Wide Range Of Color Temperature Options – 2720k-6500k
- Flicker-Free High Frequency 200K Hz – 300K Hz Ballast Technology
- Low Thd <10% Meets International level
- Constant Wattage Output With Less Than 3% Variance
- Wide Range Of Operating Temperature - 20°C to 49°C



| Fixture Model No. | Lamp | Wattage (W) | Rated Initial Luminance (LM) | Efficacy (LM/W) | Voltage (V) | Color Temperature (K) | Ambient Temperature (°C) | Installation | IP Class |
|-------------------|----------|-------------|------------------------------|-----------------|-------------------|-----------------------|--------------------------|--------------|----------|
| ILSRPTC-55E | ILST55W | 55 | 4125 | 75 | Universal 120-277 | 5000 | -20°C to 49°C | Round Pole | IP65 |
| ILSRPTC-70E | ILST70W | 70 | 5250 | 75 | | | | | |
| ILSRPTC-80E | ILST80W | 80 | 6400 | 80 | | | | | |
| ILSRPTC-120E | ILST120W | 120 | 9600 | 80 | | | | | |
| ILSRPTC-150E | ILST150W | 150 | 12750 | 85 | | | | | |
| ILSRPTC-200E | ILST200W | 200 | 17000 | 90 | | | | | |
| ILSRPTC-250E | ILST250W | 250 | 22500 | 90 | | | | | |

*Notes: Color Temperature 2720-6500 available upon request. Dimming options available.

When ordering specify lens type: Tempered Glass or Temperature Resistant Polycarbonate diffuser. Specifications subject to change without notice.




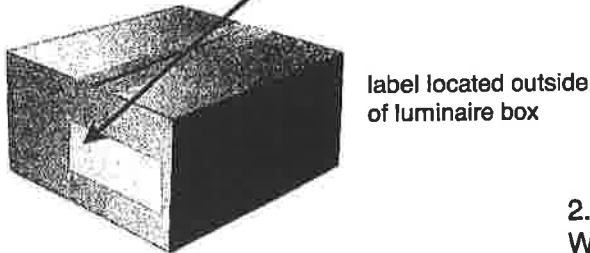
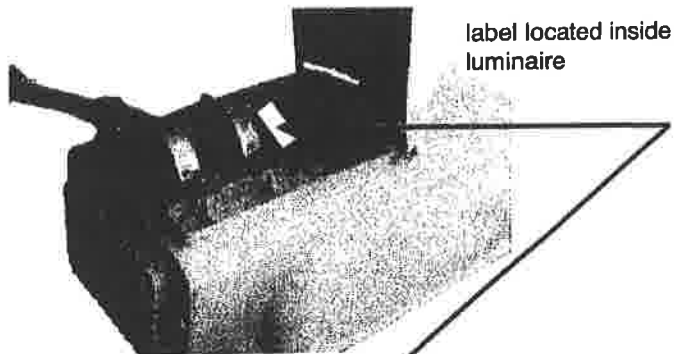
11/08/2011

Project: City of Santee

Type: ILSRPTC-55E / 55W Cobra Head - 120/277V

2.9.1

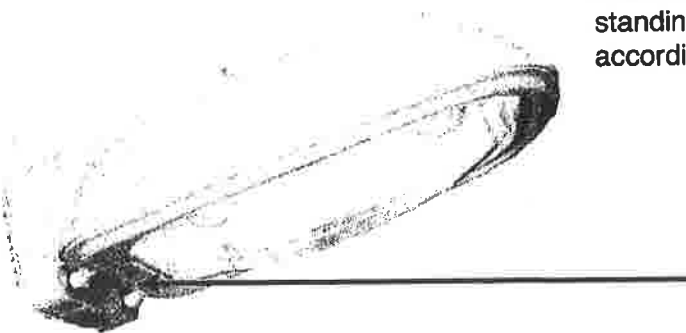
Identification: Each luminaire shall have the manufacturer's name, trademark, model number, serial number, date of manufacture (month and year), and lot number as identification permanently marked inside each unit and the outside of each packaging box.



MODEL NO: ILSRPTC-55E-PC - 120/277V
SERIAL NO: WDI2011SANTEE-ILSRPTC55
MFG DATE: 12/2011
LOT NO: WDI-RPTC550001
WEB: www.wdilighting.com

2.92

Wattage Identification: The wattage of the luminaire must be able to be detected visibly from an observer standing at ground elevation at the base of the pole according to applicable SDG&E standard.



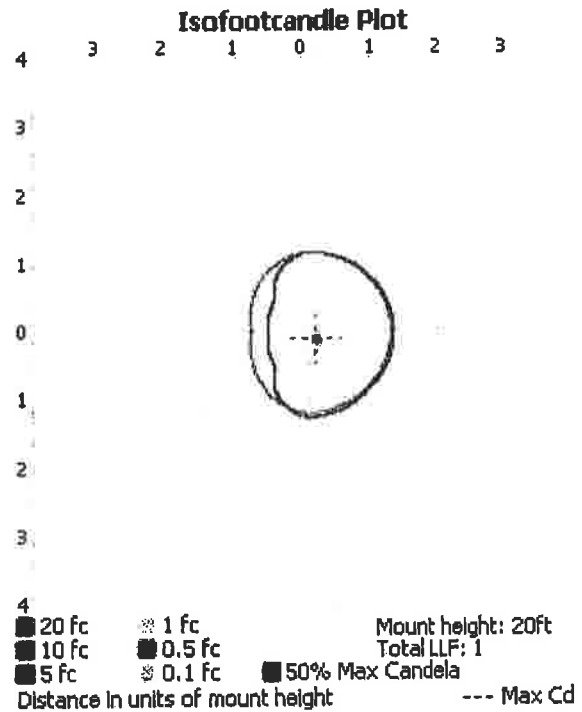
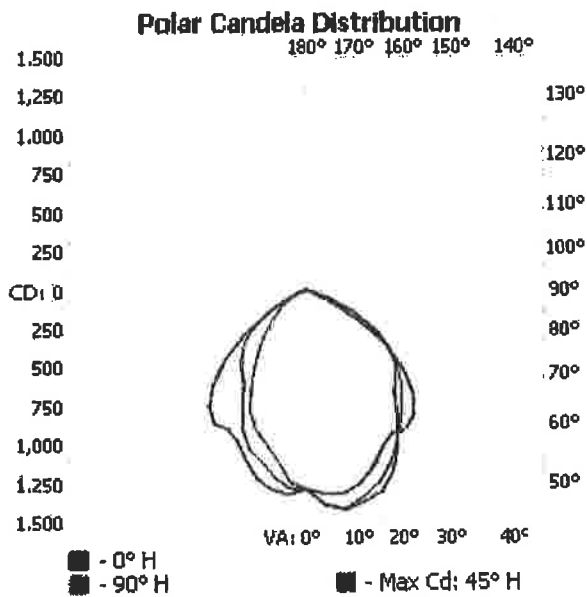
LABEL COLOR B/W

ILSRPTC-55E - OUTDOOR PHOTOMETRIC REPORT

MANUFACTURER: WDI
 LUMINAIRE: ILSRPTC-55E
 LAMP: ST55W
 LAMP OUTPUT: 1 LAMP(S), RATED LUMENS/LAMP: 4125
 INPUT WATTAGE: 58
 LUMINOUS OPENING: RECTANGLE W/LUMINOUS SIDES (L: 11.81", W: 16.54", H: 4.72")

No
 Photo
 Available

MAX CD: 1,439.8 AT HORIZONTAL: 45°, VERTICAL: 10°
 CUTOFF CLASS: CUTOFF
 ROADWAY CLASS: VERY SHORT, TYPE II
 EFFICIENCY: 68.2%



150 W



MHT LIGHTING

Project:
Type:
Quantity:

ROADWAY LIGHTS



MHTGRW-40E/MHTGRW-55E/MHTGRW-80E/MHTGRW-100E
MHTGRW-120E/MHTGRW-150E/MHTGRW-200E/MHTGRW-250E
MHTGRWDL-40E/MHTGRWDL-55E/MHTGRWDL-80E/MHTGRWDL-100E
MHTGRWDL-120E/MHTGRWDL-150E/MHTGRWDL-200E/MHTGRWDL-300E



MHTGRW Series



MHTGRWDL Series

Lamp and Generator:

- Wattage: 40W, 55W, 80W, 100W, 120W, 150W, 200W and 250W
- CRI rating: 85; excellent color rendition
- Vibration Resistance: electrodeless design
- Instant on/off and "Smart" two-way communication for further energy savings and control.

Applications:

Freeway, highway, parking lots, public entrances and off-street areas, etc.

Features:

- Die cast aluminum alloy housing for corrosion-resistance and durable use
- High purity stretched aluminum reflector with vacuum coated inner surface for even light distribution, anti-dirt coating and good light utilization
- Stainless steel hardware and heavy duty terminal block
- Separation of lamp, electrical components and ballast
- Compact structure, good heat dissipation, long life and easy maintenance
- Newest type with die cast aluminum and adjustable height of lamp pole for streamline contour and low wind resistance
- Tempered glass or temperature resisting polycarbonate lens available
- High temperature resisting silicone rubber bushing to achieve high IP rating
- Protection class: IP65
- Installation: Round lamp pole with leveling capabilities and internal level
- MHT fixtures feature flicker free, meets FCC requirements, constant output
- "Dark Sky" compliant, meets "Buy America", and manufactured in a US based ISO 9000/01 facility for quality

Corporate Office/Manufacturing
1981 Richmond Terrace
Staten Island, NY 10302
Phone (718) 524-4370

WWW.MHTLIGHTING.COM

West Coast Office /Distribution
2285 Michael Faraday Dr. Ste. 15
San Diego, CA. 92154
Phone (619) 661-0600



MHT LIGHTING

Project:
Type:
Quantity:

Specification:

Induction Lamp

| Wattage (W) | Lumens (LM) | CRI | Color Temperature (Kelvin) | Rated life (hrs) |
|-------------|---------------|-----|----------------------------|------------------|
| 40 | 2800 - 3000 | 85 | 3000/4000/5000 | 100,000 |
| 55 | 3850 - 4125 | 85 | 3000/4000/5000 | 100,000 |
| 80 | 6000 - 6400 | 85 | 3000/4000/5000 | 100,000 |
| 100 | 7500 - 8000 | 85 | 3000/4000/5000 | 100,000 |
| 120 | 9000 - 9600 | 85 | 3000/4000/5000 | 100,000 |
| 150 | 12000 - 12750 | 85 | 3000/4000/5000 | 100,000 |
| 200 | 16000 - 17000 | 85 | 3000/4000/5000 | 100,000 |
| 250 | 21250 - 22500 | 85 | 3000/4000/5000 | 100,000 |

Generator

| Wattage (W) | Input Voltage Range (VAC) | Input Current (A) | Input Frequency | Power Factor | Operating Temperature | THD |
|-------------|---------------------------|-------------------|-----------------|--------------|-----------------------|------|
| 40 | 120 - 277 | 0.35 - 0.16 | 50Hz / 60Hz | >.95 | -4°F - 104°F | <10% |
| 55 | 120 - 277 | 0.49 - 0.21 | 50Hz / 60Hz | >.95 | -4°F - 104°F | <10% |
| 80 | 120 - 277 | 0.70 - 0.32 | 50Hz / 60Hz | >.95 | -4°F - 104°F | <10% |
| 100 | 120 - 277 | 0.88 - 0.41 | 50Hz / 60Hz | >.95 | -4°F - 104°F | <10% |
| 120 | 120 - 277 | 1.05 - 0.46 | 50Hz / 60Hz | >.95 | -4°F - 104°F | <10% |
| 150 | 120 - 277 | 1.36 - 0.59 | 50Hz / 60Hz | >.95 | -4°F - 104°F | <10% |
| 200 | 120 - 277 | 1.79 - 0.77 | 50Hz / 60Hz | >.95 | -4°F - 104°F | <10% |
| 250 | 120 - 277 | 2.19 - 1.05 | 50Hz / 60Hz | >.95 | -4°F - 104°F | <10% |



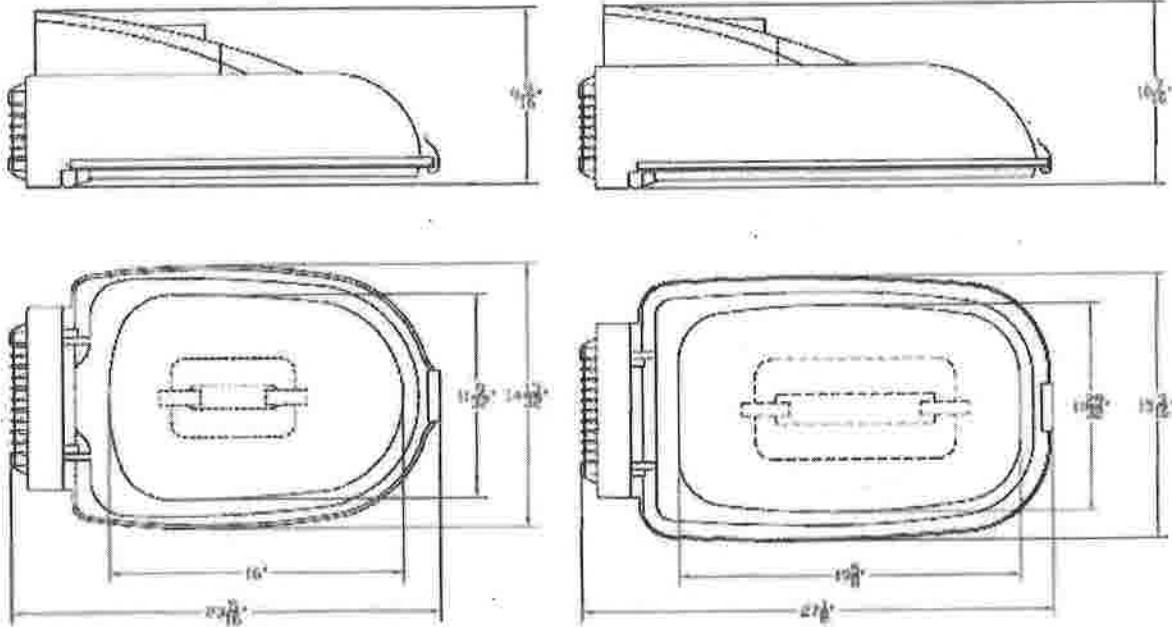
MHT LIGHTING

Project:
Type:
Quantity:

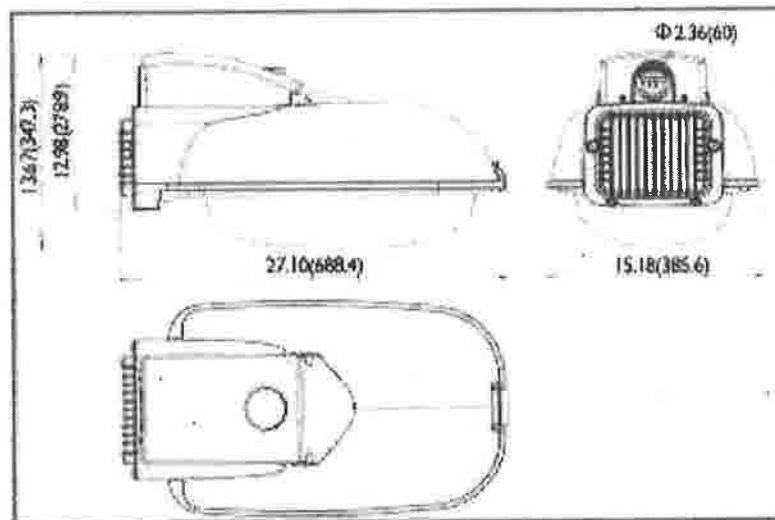
Dimension:

Roadway 40W, 55W, 80W

Roadway 100W, 120W, 150W



Roadway Dropped Lens 100W, 120W, 150W inch (mm)



Corporate Office/Manufacturing
1961 Richmond Terrace
Staten Island, NY 10302
Phone (718) 524-4370

WWW.MHTLIGHTING.COM

West Coast Office /Distribution
2285 Michael Faraday Dr. Ste. 15
San Diego, CA. 92154
Phone (619) 661-0800

Locking-Type Photoelectric Controls & Accessories

N7700 Series



The N7700 Series locking-type photoelectric controls are designed to meet electric utility stringent requirements for roadway lighting.

These photoelectric controls have provided more hours of dependable operation than any other photocontrol. Conservatively rated for 5,000 operations (13 years) on loads of 1800VA, the N7700 Series is the industry standard.

The N7760 unit is a low-cost, highly reliable 120V control. A wide, crosslinked polyethylene gasket assures weatherproof sealing with the luminaire socket.

Application

Series 7700 state-of-the-art, controls are designed for industrial, commercial, street and highway luminaires equipped with locking-type receptacles. The control's "easy-to-lead" instant ON feature makes it ideal for HID lighting in hard to reach locations. The Series N7790 multivoltage units are ideal for the "right for any job" function desired by electrical contractors.



Specifications

Photocell:
Conformally coated cadmium sulfide photocell

Housing:
UV-resistant, high-impact, polypropylene cover with clear UV-stabilized window. Meets ANSI color-coded standards.

Base:
High temp ABS (3" dia.)

Turn-On:
1 footcandle (fc) nominal.

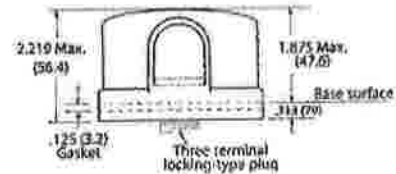
Turn-On:Turn-Off Ratio:
1:5

Rated Life:
5,000 operations minimum at rated load.

Temperature Range:
- 40° to + 70°C
- 40° to + 158°F

Dimensions:
3.078" Dia.; 2.219"H.

N7700 Series Mechanical Diagram



Ordering Information

| Model | Line Voltage | 160J MOV | Standard Photocell | Photo Transistor Sealed Photocell | HID Load Rating | Tungsten Load Rating |
|---------------|--------------|----------|--------------------|-----------------------------------|-----------------|----------------------|
| FPN7760* | 120V | | X | | 1800VA | 1000W |
| FPN7772* | 185-305V | | X | | 1800VA | 1000W |
| FPN7790B* | 105-230V | | X | | 1800VA | 1000W |
| FPN7794** | 480V | X | | X | 1800VA | 1000W |
| FP7790B-RA*** | 120V | X | | X | 1800VA | 1000W |

*UL Listed.
** Not UL Listed
*** Reverse acting photocontrol